

Attachment for Vial Stopper Penetrability Test

MED-LFA-20N Series/MED-VH-5N

- Jigs to measure penetrability of elastomeric closure of vials
- MED-LFA-20N series connect needle hubs to force gauges and has 3 varieties usable for different lure fittings
- MED-VH-5N holds vials with any sizes complying with ISO



Male Luer Slip Adapter
MED-LFA-20N-MS



Female Luer Slip Adapter
MED-LFA-20N-FS






Male Luer Lock Adapter
MED-LFA-20N-ML



Vial Holder for Test Stands
MED-VH-5N



Related Standard	
MED-LFA-20N Series	-ISO 8871-5:2016 Functional requirements and testing (Corresponding part only)
	-ISO 7864:2016 Sterile hypodermic needles for single use (Corresponding part only)
MED-VH-5N	-ISO 8871-5:2016 Functional requirements and testing (Corresponding part only)




Installing of attachments for testing		
Remove the connector from the main adapter and inset the needle hub to the connector※	To fix the Adapters, Finger-tighten the knob and stabilize.	Place a vial onto MED-VH-5N and adjust the height of the clamber to fix the vial.
		

※When replacing the sample needle, please remove the taper connector of the luer fitting adapter first from the force gauge to protect the sensor of the gauge from overloading.

Specifications				
Product Type	Male Luer Slip Adapter	Female Luer Slip Adapter	Male Luer Lock Adapter	Vial Holder for Test Stands
Model	MED-LFA-20N-MS	MED-LFA-20N-FS	MED-LFA-20N-ML	MED-VH-5N
Capacity	20N			5N※1
Dimensions	See [Dimensions]			
Mounting Screw	M6			-
Weight	Approx.15g			Approx.220g
Components	Main Adapter、 1 type of Connector ※2			-

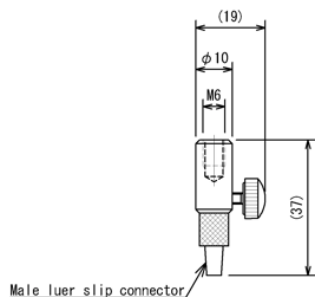
※1 Force value applied to the clamber when extracting the needle cannot exceed 5N.

※2 Connectors are available for purchase separately

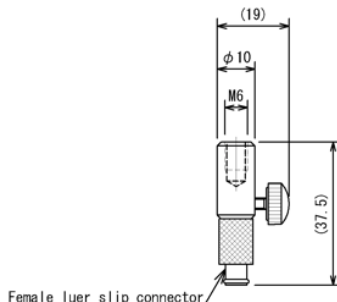
Spare connectors			
Product Type	Male Luer Slip Connector	Female Luer Slip Connector	Male Luer Lock Connector
Model	OP-LFA-01	OP-LFA-02	OP-LFA-03
Pictures			

[Dimensions]

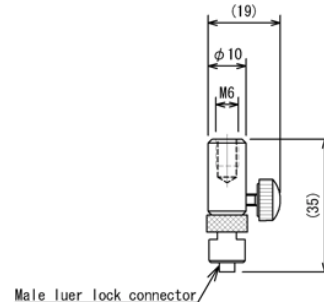
MED-LFA-20N-MS



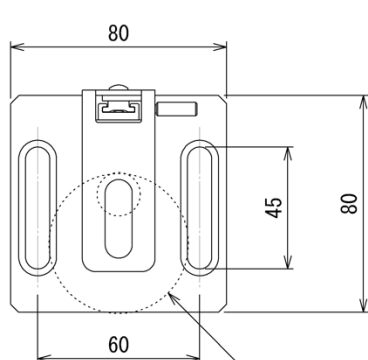
MED-LFA-20N-FS



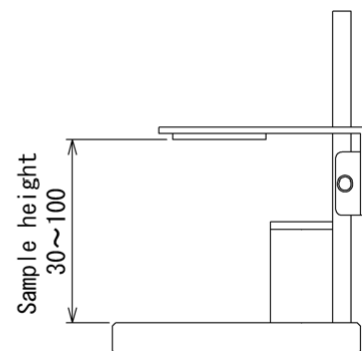
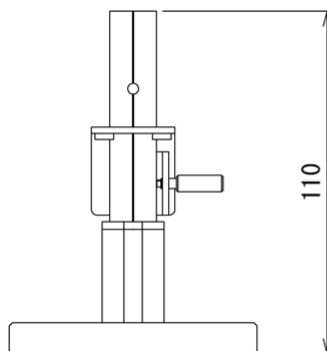
MED-LFA-20N-ML



MED-VH-5N



Sample diameter : $\phi 16 \sim \phi 52$



Unit:mm

[Important Notice]

- The specifications in this context may be changed without prior notice.
- A force gauge (sold separately) is required to use this product.
- This product is designed for force testing only. Not suitable for other purpose uses.
- Duplication and use of this context without prior consent is strictly prohibited

SHRADDHA IMPEX
Authorized Distributor

Email: shraddhaimpex@gmail.com / sales@shraddhaimpex.net
Web: www.shraddhaimpex.net
Contact: +919819530352 / +918591279918

